

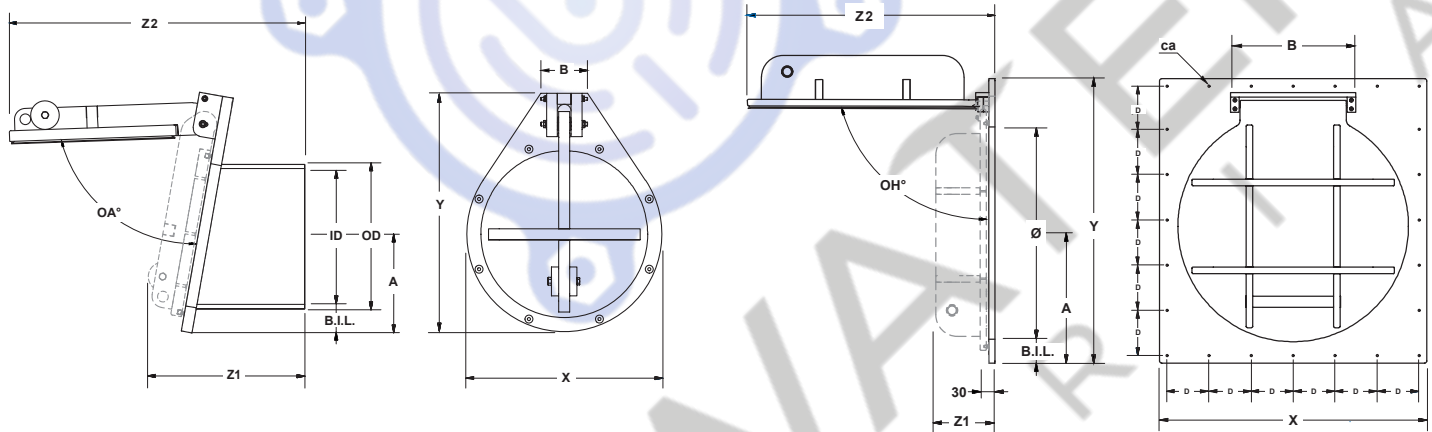


BIWATER

I B E R I A

FLAP VALVE - HDPE / SS316L

TYPE WALL MOUNTING (GV), Ø100 - 1500 MM.



For detailed dimensions or installation instructions, please consult one of our sales advisors.

Ø mm.	B.I.L. mm.	X mm.	Y mm.	Z1 mm.	Z2 mm.	A mm.	B mm.	opening angle	D mm.	chemical anchors	approx. weight
Ø 100	45	200	270	115	± 260	95	150	max. 120°	150 x 150	M 8 x 110 (4x)	3 kg.
Ø 150	45	250	320	140	± 310	120	150	max. 120°	180 x 180	M 8 x 110 (4x)	5 kg.
Ø 200	40	290	365	140	± 370	140	200	max. 120°	230 x 230	M 8 x 110 (4x)	6 kg.
Ø 250	40	340	415	140	± 420	165	200	max. 120°	280 x 280	M 8 x 110 (4x)	7 kg.
Ø 300	47,5	405	475	155	± 460	197,5	248	max. 120°	330 x 330	M 8 x 110 (4x)	8 kg.
Ø 400	40	480	565	140	± 560	240	248	max. 120°	420 x 420	M 8 x 110 (4x)	13 kg.
Ø 500	40	580	660	140	± 640	290	380	max. 120°	520 x 520	M 8 x 110 (4x)	18 kg.
Ø 600	150	900	950	165	± 760	450	380	max. 100°	variable	M 8 x 110 (16x)	25 kg.
Ø 700	150	1000	1050	180	± 850	500	380	max. 100°	variable	M 8 x 110 (16x)	32 kg.
Ø 800	150	1100	1050	200	± 950	550	380	max. 100°	variable	M 8 x 110 (16x)	43 kg.
Ø 900	135	1140	1220	240	± 1060	585	480	max. 100°	variable	M 8 x 110 (20x)	53 kg.
Ø 1000	135	1240	1320	280	± 1160	635	580	max. 100°	variable	M 8 x 110 (24x)	68 kg.
Ø 1100	125	1400	1450	231	± 1278	675	568	max. 78°	variable	M10 x 130 (30x)	97 kg.
Ø 1200	125	1500	1565	229	± 1374	725	608	max. 78°	variable	M10 x 130 (30x)	106 kg.
Ø 1300	125	1580	1560	225	± 1650	775	658	max. 78°	variable	M10 x 130 (32x)	134 kg.
Ø 1400	125	1700	1750	235	± 1580	825	708	max. 78°	variable	M10 x 130 (34x)	149 kg.
Ø 1500	125	1800	1875	245	± 1646	875	758	max. 78°	variable	M10 x 130 (38x)	166 kg.

Dimensions in millimeters, weights in kilograms. Subject to changes in images, dimensions and description. Placement, installation and use in accordance with our regulations.