



AVK 90° ELBOW, TALBOT PUSHFIT, 16 BAR

1907/45-001

PE x male tapered thread

The AVK Talbot Pushfit system is a tried and tested method of connecting low, medium and high density polyethylene water pipes in both metric and imperial sizes. Assembly is quick and easy, no tools needed and no risk of screws or nuts left untightened.

Product description:

90° elbow push fitting for terminating with pipes to a male tapered thread, for water, max. temperature 65°C (short term), 40°C (continuous), 23°C (WRAS approval)

Test/Approvals:

- WRAS approved materials

Features:

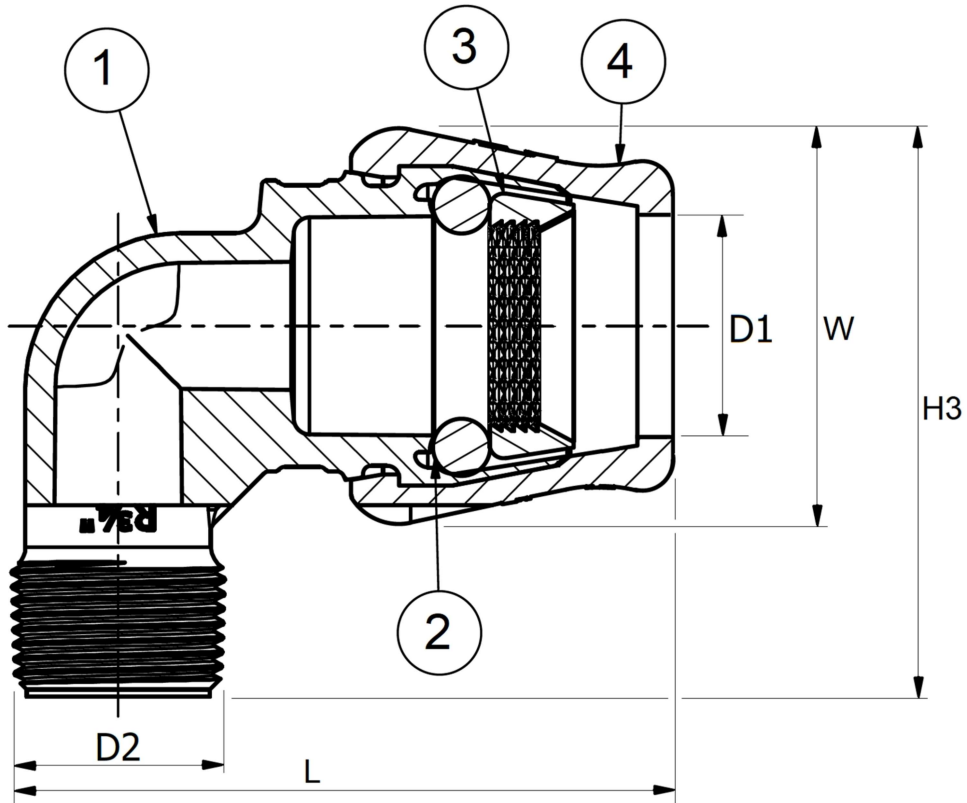
- Quick and easy installation, no tools necessary
- Quick and easy disassembly with only a simple piece of special extracting tool
- Light weight materials like acetal (POM) or polypropylene (PP)
- Drinking water approved

Accessories:

Extractor for disassembly, support bush, chamfering tool, replacement grip ring and O-ring



The designs, materials and specifications shown are subject to change without notice due to the continuous development of our product range.



Component list:

1. Body	PP	3. Grip ring	POM
2. O-ring	EPDM rubber	4. Push fit cone	PP

Components may be substituted with equivalent or higher class materials without prior notification.

Reference nos. and dimensions:

AVK ref. no.	D1	D2	L	W	H3	Theoretical weight/kg
	mm	Inch	mm	mm	mm	
1907-025034-45-01	25	3/4"	76	43	68	0.1
1907-032100-45-01	32	1"	92	52	80	0.1